

Stella Freestanding Basin



Top View

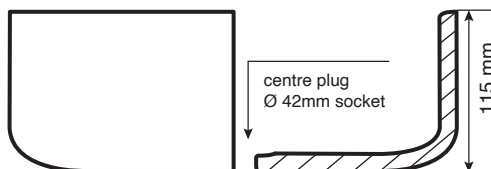
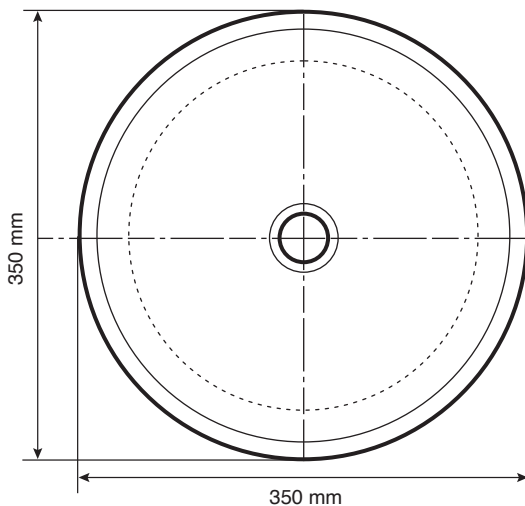


Front View



DIMENSIONS

L 350mm x W 350mm x H 115mm



Product Properties

	DURABLE		SCRATCH RESISTANT
	UV STABLE		NON POROUS
	EASY TO CLEAN		STAIN RESISTANT
	REPAIRABLE		MOULD RESISTANT

Individually crafted, each basin is created using a carefully blended composite of high-quality resin and stone which is hand polished to a lustrous finish.



Each product is backed by a 25 year manufacturers warranty.